



## STINGER 70100 | Boom Truck Crane

# BOOM TRUCK CRANE STINGER 70100



### FEATURES

- ▶ 70,000 lb (31 752 kg) maximum lifting capacity
- ▶ 110' (33.53 m) maximum sheave height
- ▶ 163' (49.68 m) maximum sheave height with 30.5-55' (9.30-16.76 m) jib
- ▶ 30.5-100' (9.30-30.48 m) four-section full power fully synchronized boom
- ▶ Exclusive color coded boom and load charts
- ▶ Easy-to-install optional 30.5' (9.30 m) one stage or 30.5-55' (9.30-16.76 m) two stage telescoping jib, man baskets or work platform increase job capacities
- ▶ Electronic Load Moment Indicator and anti-two-block device standard with internal cable
- ▶ Externally located planetary rotation drive for easy accessibility for maintenance
- ▶ 2-speed planetary winch has 12,900 lb (5 851 kg) maximum permissible 1 part line, 45,400 lb (20 593 kg) breaking strength, 196 ft/min (60 m/min) maximum line speed
- ▶ Dual control station with direct mechanically controlled hydraulic system
- ▶ 90 gal (342 L) capacity hydraulic tank





# BOOM TRUCK CRANE STINGER 70100

## BT MODEL

### LOAD RATINGS



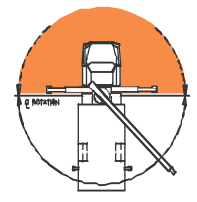
CAUTION Do not use this specification sheet as a load rating chart. The format of data is not consistent with the machine chart and may be subject to change.

| BOOM LENGTH           |                         |                  |                         |                  |                         |                  |                         |                  |                         |                  |                         |                  | Maximum Load Chart in pounds (lbs) with fully extended outrigger |                  |
|-----------------------|-------------------------|------------------|-------------------------|------------------|-------------------------|------------------|-------------------------|------------------|-------------------------|------------------|-------------------------|------------------|--|------------------|
| OPERATING RADIUS (FT) | 30.5 FT                 |                  | 44 FT                   |                  | 58 FT                   |                  | 72 FT                   |                  | 86 FT                   |                  | 100 FT                  |                  |  |                  |
|                       | LOADED BOOM ANGLE (DEG) | LOAD RATING (LB) | LOADED BOOM ANGLE (DEG) | LOAD RATING (LB) | LOADED BOOM ANGLE (DEG) | LOAD RATING (LB) | LOADED BOOM ANGLE (DEG) | LOAD RATING (LB) | LOADED BOOM ANGLE (DEG) | LOAD RATING (LB) | LOADED BOOM ANGLE (DEG) | LOAD RATING (LB) | LOADED BOOM ANGLE (DEG)  | LOAD RATING (LB) |
| 5                     | 78                      | 70,000*          |                         |                  |                         |                  |                         |                  |                         |                  |                         |                  |  |                  |
| 8                     | 72                      | 60,800*          |                         |                  |                         |                  |                         |                  |                         |                  |                         |                  |  |                  |
| 10                    | 68                      | 44,800*          | 75                      | 31,300*          |                         |                  |                         |                  |                         |                  |                         |                  |  |                  |
| 12                    | 64                      | 40,000*          | 72                      | 31,700*          | 77                      | 31,100*          |                         |                  |                         |                  |                         |                  |  |                  |
| 15                    | 58                      | 33,200*          | 68                      | 31,600*          | 74                      | 30,500*          | 77                      | 27,600*          |                         |                  |                         |                  |  |                  |
| 20                    | 45                      | 24,400*          | 61                      | 24,500*          | 68                      | 23,600*          | 73                      | 21,200*          | 76                      | 19,000*          |                         |                  |  |                  |
| 25                    | 29                      | 18,300*          | 53                      | 19,100*          | 63                      | 19,100*          | 69                      | 17,200*          | 72                      | 15,300*          | 75                      | 12,100*          |  |                  |
| 30                    |                         |                  | 44                      | 15,000*          | 57                      | 15,400*          | 64                      | 14,400*          | 69                      | 12,900*          | 72                      | 10,500*          |  |                  |
| 35                    |                         |                  | 34                      | 11,400           | 51                      | 11,800           | 60                      | 12,000           | 65                      | 11,100*          | 69                      | 9,100*           |  |                  |
| 40                    |                         |                  | 18                      | 8,700            | 44                      | 9,300            | 55                      | 9,400            | 61                      | 9,500            | 66                      | 7,000*           |  |                  |
| 45                    |                         |                  |                         |                  | 36                      | 7,300            | 50                      | 7,600            | 57                      | 7,700            | 62                      | 6,000*           |  |                  |
| 50                    |                         |                  |                         |                  | 27                      | 5,800            | 44                      | 6,100            | 53                      | 6,200            | 59                      | 5,100*           |  |                  |
| 55                    |                         |                  |                         |                  | 11                      | 4,600            | 38                      | 5,000            | 49                      | 5,100            | 56                      | 4,500*           |  |                  |
| 60                    |                         |                  |                         |                  |                         |                  | 31                      | 4,000            | 44                      | 4,200            | 52                      | 3,900*           |  |                  |
| 65                    |                         |                  |                         |                  |                         |                  | 22                      | 3,200            | 39                      | 3,400            | 48                      | 3,400*           |  |                  |
| 70                    |                         |                  |                         |                  |                         |                  |                         |                  | 34                      | 2,800            | 44                      | 2,900            |  |                  |
| 75                    |                         |                  |                         |                  |                         |                  |                         |                  | 27                      | 2,200            | 40                      | 2,400            |  |                  |
| 80                    |                         |                  |                         |                  |                         |                  |                         |                  | 18                      | 1,700            | 35                      | 1,900            |  |                  |
| 85                    |                         |                  |                         |                  |                         |                  |                         |                  |                         |                  | 30                      | 1,500            |  |                  |
| 90                    |                         |                  |                         |                  |                         |                  |                         |                  |                         |                  | 24                      | 1,100            |  |                  |
| 95                    |                         |                  |                         |                  |                         |                  |                         |                  |                         |                  | 15                      | 800              |  |                  |

NOTE: STRUCTURAL STRENGTH RATINGS IN CHART ARE INDICATED WITH AN ASTERISK \*

### AREA OF OPERATION

DO NOT OPERATE IN SHADED AREA WITHOUT OPTIONAL FRONT STABILIZER



### Deductions from rate loads for load handling devices BT

|                     |             |
|---------------------|-------------|
| Overhaul Ball       | 200 lbs     |
| 1 Sheave Load Block | 225-550 lbs |
| 2 Sheave Load Block | 300-650 lbs |

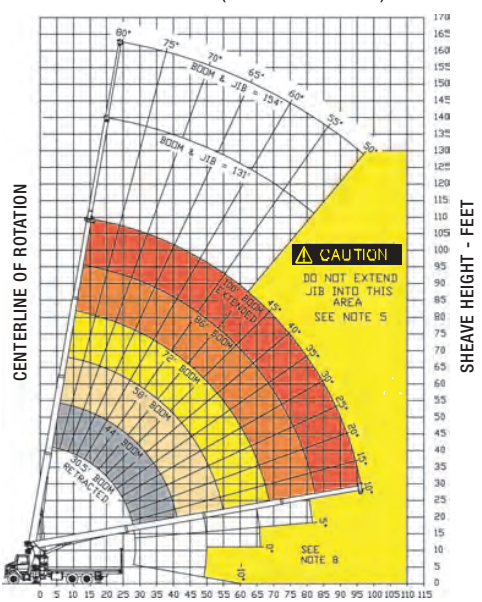
### STOWED JIB DEDUCTIONS (POUNDS)

|     |     |     |     |     |     |
|-----|-----|-----|-----|-----|-----|
| 900 | 700 | 500 | 400 | 335 | 300 |
|-----|-----|-----|-----|-----|-----|

### JIB CAPACITIES FOR ALL BOOM LENGTHS VERIFY OPERATIONAL MODE SETTING ON LMI DISPLAY BEFORE LIFTING WITH JIB

| Loaded Boom Angle     | 50° | 55°   | 60°   | 65°   | 70°   | 75°   | 78°   | 80°   |
|-----------------------|-----|-------|-------|-------|-------|-------|-------|-------|
| Retracted 30.5 ft Jib | 800 | 1,400 | 2,300 | 3,300 | 4,000 | 5,300 | 6,000 | 6,450 |
| Extended 55 ft Jib    | 700 | 1,050 | 1,700 | 2,300 | 3,000 | 3,500 | 3,500 | 3,500 |

RANGE DIAGRAM (30.5 - 100 FT BOOM)



### GENERAL NOTES

- The operator must read and understand the Owner's Manual before operating this crane.
- Positioning or operation of crane beyond areas shown on this chart is not intended or approved except where specified in Owner's Manual.
- Loaded boom angles at specified boom lengths give only an approximation of the operating radius. The boom angle before loading should be greater to account for deflections. Do not exceed the operating radius for rated loads.
- Use rating of next longer boom for boom lengths not shown. Use rating of next greater radius for load radii not shown.
- Boom must be fully retracted when jib is erected before lowering below minimum angle. Retracted jib has no lifting capacity below a 50° boom angle.
- Use rating of next lower boom angle for boom angles not shown on jib load rating chart.
- Lifting off the main boom point while the swing around jib is erected is not intended or approved.
- Do not lower boom into this area, as hydraulic pressure will not allow raising the boom without retracting boom first.
- Crane load ratings on outriggers are based on freely suspended loads with the machine leveled and standing on a firm uniform supporting surface. No attempt shall be made to move a load horizontally on the ground in any direction.
- Practical working loads depend on supporting surface, wind and other factors affecting stability such as hazardous surroundings, experience of personnel, and proper handling, must all be taken into account by the operator.
- The maximum load which may be telescoped is limited by hydraulic pressure, boom angle, and boom lubrication. It is safe to attempt to telescope any load within the limits of the load rating chart.

### INFORMATION

- Deductions must be made from rated loads for stowed jib, optional attachments, hooks and loadblocks (see deduction chart). Weights of slings and other load handling devices shall be considered a part of the load.
- Crane load ratings with outriggers are based on outriggers and stabilizers extended and set with all load removed from the carrier wheels.
- Load ratings do not exceed 85% of tipping load.

### DEFINITIONS

- Operating radius is the horizontal distance from the axis of rotation to the center of the vertical hoist line or load hook with load suspended.
- Loaded boom angle as shown in the Load Ratings Chart is the included angle between the horizontal and longitudinal axes of the boom base after lifting rated load at rated radius.





# BOOM TRUCK CRANE STINGER 70100

## RS MODEL

### LOAD RATINGS

**CAUTION** Do not use this specification sheet as a load rating chart. The format of data is not consistent with the machine chart and may be subject to change.

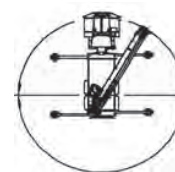
**BOOM LENGTH** Maximum Load Chart in pounds (lbs) with fully extended outrigger

| OPERATING RADIUS (FT) | 30.5 FT                 |                  | 44 FT                   |                  | 58 FT                   |                  | 72 FT                   |                  | 86 FT                   |                  | 100 FT                  |                  |
|-----------------------|-------------------------|------------------|-------------------------|------------------|-------------------------|------------------|-------------------------|------------------|-------------------------|------------------|-------------------------|------------------|
|                       | LOADED BOOM ANGLE (DEG) | LOAD RATING (LB) | LOADED BOOM ANGLE (DEG) | LOAD RATING (LB) | LOADED BOOM ANGLE (DEG) | LOAD RATING (LB) | LOADED BOOM ANGLE (DEG) | LOAD RATING (LB) | LOADED BOOM ANGLE (DEG) | LOAD RATING (LB) | LOADED BOOM ANGLE (DEG) | LOAD RATING (LB) |
| 5                     | 74                      | 70,000*          |                         |                  |                         |                  |                         |                  |                         |                  |                         |                  |
| 8                     | 67                      | 44,900*          |                         |                  |                         |                  |                         |                  |                         |                  |                         |                  |
| 10                    | 63                      | 39,000*          |                         |                  |                         |                  |                         |                  |                         |                  |                         |                  |
| 12                    | 59                      | 34,400*          |                         |                  |                         |                  |                         |                  |                         |                  |                         |                  |
| 15                    | 52                      | 29,190*          | 72                      | 31,100*          | 74                      | 31,100*          | 75                      | 24,200*          |                         |                  |                         |                  |
| 20                    | 38                      | 22,300*          | 69                      | 27,800*          | 71                      | 26,700*          | 71                      | 19,200*          | 74                      | 17,000*          |                         |                  |
| 25                    | 17                      | 14,900*          | 65                      | 22,000*          | 66                      | 21,200*          | 71                      | 16,000*          | 71                      | 14,400*          | 73                      | 12,100*          |
| 30                    |                         |                  | 57                      | 18,000*          | 60                      | 17,500*          | 67                      | 13,300*          | 67                      | 12,000*          | 70                      | 10,500*          |
| 35                    |                         |                  | 49                      | 14,800*          | 54                      | 14,700*          | 62                      | 11,500*          | 63                      | 10,300*          | 67                      | 9,100*           |
| 40                    |                         |                  | 27                      | 11,600           | 48                      | 12,000           | 57                      | 9,400            | 59                      | 9,100*           | 64                      | 6,500*           |
| 45                    |                         |                  |                         |                  | 41                      | 9,200            | 53                      | 7,400            | 55                      | 7,500            | 61                      | 5,600*           |
| 50                    |                         |                  |                         |                  | 32                      | 7,200            | 47                      | 5,900            | 51                      | 6,000            | 58                      | 4,900*           |
| 55                    |                         |                  |                         |                  | 21                      | 5,700            | 42                      | 4,700            | 47                      | 4,900            | 54                      | 4,200*           |
| 60                    |                         |                  |                         |                  |                         |                  | 35                      | 3,800            | 42                      | 3,900            | 50                      | 3,600*           |
| 65                    |                         |                  |                         |                  |                         |                  | 27                      | 3,000            | 37                      | 3,200            | 47                      | 3,100*           |
| 70                    |                         |                  |                         |                  |                         |                  | 16                      | 2,500            | 31                      | 2,500            | 42                      | 2,600*           |
| 75                    |                         |                  |                         |                  |                         |                  |                         |                  | 23                      | 2,000            | 38                      | 2,100            |
| 80                    |                         |                  |                         |                  |                         |                  |                         |                  | 12                      | 1,500            | 33                      | 1,600            |
| 85                    |                         |                  |                         |                  |                         |                  |                         |                  |                         |                  | 27                      | 1,200            |
| 90                    |                         |                  |                         |                  |                         |                  |                         |                  |                         |                  | 20                      | 900              |
| 95                    |                         |                  |                         |                  |                         |                  |                         |                  |                         |                  | 7                       | 600              |

NOTE: STRUCTURAL STRENGTH RATINGS IN CHART ARE INDICATED WITH AN ASTERISK \*

### AREA OF OPERATION

360° Full Capacity Area of Operation



### Deductions from rate loads for load handling devices BT

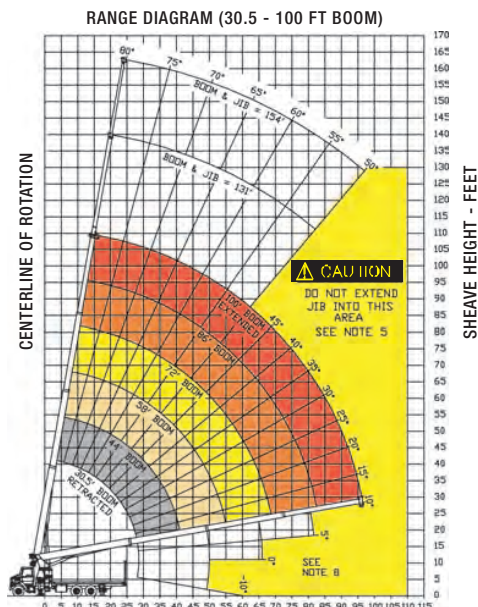
|                     |             |
|---------------------|-------------|
| Overhaul Ball       | 200 lbs     |
| 1 Sheave Load Block | 225-550 lbs |
| 2 Sheave Load Block | 300-650 lbs |

### STOWED JIB DEDUCTIONS (POUNDS)

|  |     |     |     |     |     |     |
|--|-----|-----|-----|-----|-----|-----|
|  | 900 | 700 | 500 | 400 | 335 | 300 |
|--|-----|-----|-----|-----|-----|-----|

### JIB CAPACITIES FOR ALL BOOM LENGTHS VERIFY OPERATIONAL MODE SETTING ON LMI DISPLAY BEFORE LIFTING WITH JIB

| Loaded Boom Angle     | 50° | 55°   | 60°   | 65°   | 70°   | 75°   | 78°   | 80°   |
|-----------------------|-----|-------|-------|-------|-------|-------|-------|-------|
| Retracted 30.5 ft Jib | 800 | 1,400 | 2,300 | 3,300 | 4,000 | 5,300 | 6,000 | 6,450 |
| Extended 55 ft Jib    | 700 | 1,050 | 1,700 | 2,300 | 3,000 | 3,500 | 3,500 | 3,500 |



### GENERAL NOTES

- The operator must read and understand the Owner's Manual before operating this crane.
- Positioning or operation of crane beyond areas shown on this chart is not intended or approved except where specified in Owner's Manual.
- Loaded boom angles at specified boom lengths give only an approximation of the operating radius. The boom angle before loading should be greater to account for deflections. Do not exceed the operating radius for rated loads.
- Use rating of next longer boom for boom lengths not shown. Use rating of next greater radius for load radii not shown.
- Boom must be fully retracted when jib is erected before lowering below minimum angle. Retracted jib has no lifting capacity below a 50° boom angle.
- Use rating of next lower boom angle for boom angles not shown on jib load rating chart.
- Lifting off the main boom point while the swing around jib is erected is not intended or approved.
- Do not lower boom into this area, as hydraulic pressure will not allow raising the boom without retracting boom first.
- Crane load ratings on outriggers are based on freely suspended loads with the machine leveled and standing on a firm uniform supporting surface. No attempt shall be made to move a load horizontally on the ground in any direction.
- Practical working loads depend on supporting surface, wind and other factors affecting stability such as hazardous surroundings, experience of personnel, and proper handling, must all be taken into account by the operator.
- The maximum load which may be telescoped is limited by hydraulic pressure, boom angle, and boom lubrication. It is safe to telescope any load within the limits of the load rating chart.

#### INFORMATION

- Deductions must be made from rated loads for stowed jib, optional attachments, hooks and loadblocks (see deduction chart). Weights of slings and other load handling devices shall be considered a part of the load.
- Crane load ratings with outriggers are based on outriggers and stabilizers extended and set with all load removed from the carrier wheels.
- Load ratings do not exceed 85% of tipping load.

#### DEFINITIONS

- Operating radius is the horizontal distance from the axis of rotation to the center of the vertical hoist line or load hook with load suspended.
- Loaded boom angle as shown in the Load Ratings Chart is the included angle between the horizontal and longitudinal axes of the boom base after lifting rated load at rated radius.







# BOOM TRUCK CRANE STINGER 70100

## BT MODEL

| WINCH DATA                |                              |                      |                     |                     |                     |                       |                       |
|---------------------------|------------------------------|----------------------|---------------------|---------------------|---------------------|-----------------------|-----------------------|
|                           |                              | 1 Part Line          | 2 Part Line         | 3 Part Line         | 4 Part Line         | 5 Part Line           | 6 Part Line           |
|                           |                              |                      |                     |                     |                     |                       |                       |
| Winch                     | Cable Supplied               | Lift and Speed       | Lift and Speed      | Lift and Speed      | Lift and Speed      | Lift and Speed        | Lift and Speed        |
| Standard Stationary Winch | 5/8" Diam IWRC XXIP          | 12,971 lb<br>196 fpm | 25,942 lb<br>98 fpm | 38,913 lb<br>65 fpm | 51,844 lb<br>49 fpm | 64,855 lb<br>39.2 fpm | 70,000 lb<br>32.7 fpm |
|                           | 5/8" Diam Rotation Resistant | 9080 lb<br>196 fpm   | 18,160 lb<br>98 fpm | 27,240 lb<br>65 fpm | 36,320 lb<br>49 fpm | 45,400 lb<br>39.2 fpm | 54,480 lb<br>32.7 fpm |

| BLOCK TYPE     |                          |
|----------------|--------------------------|
| Overhaul Ball  | Rating: 7.0 ton (6.3 mt) |
| 1 Sheave Block | Rating: 20 ton (18.1 mt) |
| 2 Sheave Block | Rating: 30 ton (27.2 mt) |
| 3 Sheave Block | Rating: 35 ton (31.7 mt) |

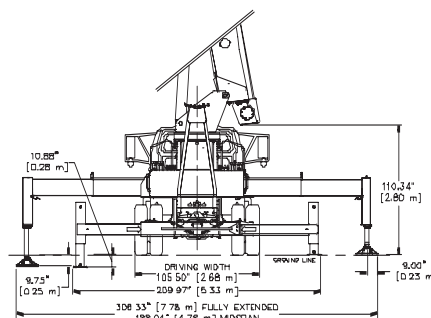
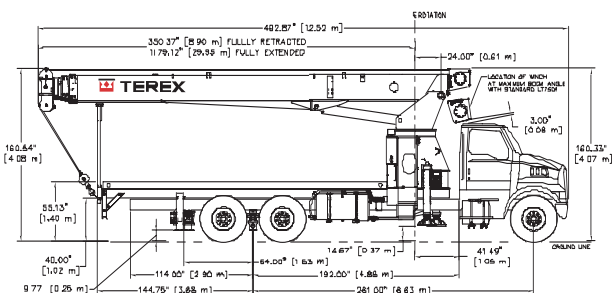
**CAUTION** ⚠

Overload and anti-two-block systems must be in good operating condition before operating crane. Refer to Owners Manual.

Keep at least 3 wraps of loadline on drum at all times.

Use only 5/8" diameter cable with 45,400 lb breaking strength on this machine.

## 2 MOUNTING CONFIGURATIONS



| CARRIER PROVIDED BY TEREX                           |                                    |
|---|------------------------------------|
| STINGER BT70100 - Behind Cab Mounting Configuration |                                    |
| ▶ Manufacturer                                      | Sterling LT7501 6 x 4 (60 000)     |
| ▶ Standard Engine                                   | Caterpillar C-7 7.2 L I-6          |
| ▶ Standard Horsepower                               | 300 hp @ 2,200 rpm                 |
| ▶ Standard Torque                                   | 860 lb. Ft. @ 1,440 rpm            |
| ▶ Full Tank Capacity                                | 120 gal (454 L)                    |
| ▶ Standard Transmission                             | Eaton Fuller RT-8908LL             |
| ▶ Speed Standard Transmission                       | Manual 10-speed                    |
| ▶ Max Speed Standard Transmission                   | 74 mph (120 km/h)                  |
| ▶ Max Gradeability                                  | 54%                                |
| Standard Transmission                               |                                    |
| ▶ Optional Transmission                             | Allison                            |
| ▶ Speed Optional Transmission                       | Automatic 6-speeds                 |
| ▶ Max Speed Optional Transmission                   | 74 mph (120 km/h)                  |
| ▶ Max Gradeability                                  | 17%                                |
| Optional Transmission                               |                                    |
| ▶ Gross Vehicle Weight Rating                       | 60,000 lb (27 210 kg)              |
| ▶ Front Axle Weight Rating                          | 20,000 lb (9 067 kg)               |
| ▶ Rear Axle Weight Rating                           | 40,000 lb (18 144 kg)              |
| ▶ Front Tires                                       | 425/65R 22.5 Michelin XZY (20 ply) |
| ▶ Rear Tires  | 11R 22.5 Michelin XDE M/S (14 ply) |
| ▶ Brakes  | Air, Hydraulic Anti-Lock System    |
| ▶ Exhaust Position                                  | Vertical Right Side                |

| INCLUDED OPTIONS                              |  |
|---|--|
| ▶ Dual Fuel Tanks (120 gal-454L)              |  |
| ▶ Power steering                              |  |
| ▶ Electric Horn                               |  |
| ▶ Factory A/C                                 |  |
| ▶ Power Port (Cigar lighter)                  |  |
| ▶ AM/FM Radio w/ Clock                        |  |
| ▶ Dual West Coast Stainless Rear View Mirrors |  |
| ▶ Standard Factory Warranty                   |  |

| CHASSIS RECOMMENDATIONS                             |   |
|---|---|
| STINGER BT70100 - Behind Cab Mounting Configuration |   |
| ▶ Combined Axle Weight Rating                       | 60,000 lb (27 210 kg)                       |
| ▶ Front Axle Weight Rating                          | 20,000 lb (9 067 kg)                        |
| ▶ Rear Axle Weight Rating                           | 40,000 lb (18 144 kg)                       |
| ▶ Wheel base  | 261" (6.62 m)                               |
| ▶ Cab to Axle                                       | 192" (4.87 m)                               |
| ▶ Afterframe  | 114" (2.90 m)                               |
| ▶ Frame Section Modulus                             | 30.0 in <sup>3</sup> (491 cm <sup>3</sup> ) |
| ▶ RBM per Frame Rail                                | 3,300,000 in/lb (38 020 kg/m)               |
| ▶ Frame Height (Unloaded)                           | 40" (7.62 m)                                |
| ▶ Exhaust Position                                  | Vertical Right Side                         |





# BOOM TRUCK CRANE STINGER 70100

## RS MODEL

| WINCH DATA                |                              |                      |                     |                     |                     |                       |                       |
|---------------------------|------------------------------|----------------------|---------------------|---------------------|---------------------|-----------------------|-----------------------|
|                           |                              | 1 Part Line          | 2 Part Line         | 3 Part Line         | 4 Part Line         | 5 Part Line           | 6 Part Line           |
|                           |                              |                      |                     |                     |                     |                       |                       |
| Winch                     | Cable Supplied               | Lift and Speed       | Lift and Speed      | Lift and Speed      | Lift and Speed      | Lift and Speed        | Lift and Speed        |
| Standard Stationary Winch | 5/8" Diam IWRC XXIP          | 12,971 lb<br>196 fpm | 25,942 lb<br>98 fpm | 38,913 lb<br>65 fpm | 51,844 lb<br>49 fpm | 64,855 lb<br>39.2 fpm | 70,000 lb<br>32.7 fpm |
|                           | 5/8" Diam Rotation Resistant | 9080 lb<br>196 fpm   | 18,160 lb<br>98 fpm | 27,240 lb<br>65 fpm | 36,320 lb<br>49 fpm | 45,400 lb<br>39.2 fpm | 54,480 lb<br>32.7 fpm |

| BLOCK TYPE     |                          |
|----------------|--------------------------|
| Overhaul Ball  | Rating: 7.0 ton (6.3 mt) |
| 1 Sheave Block | Rating: 20 ton (18.1 mt) |
| 2 Sheave Block | Rating: 30 ton (27.2 mt) |
| 3 Sheave Block | Rating: 35 ton (31.7 mt) |

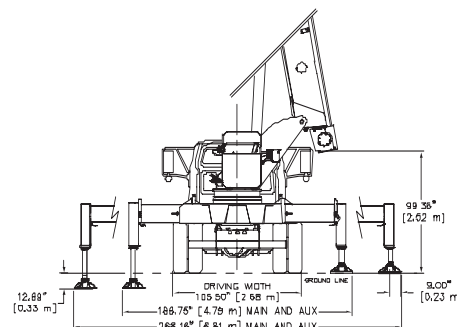
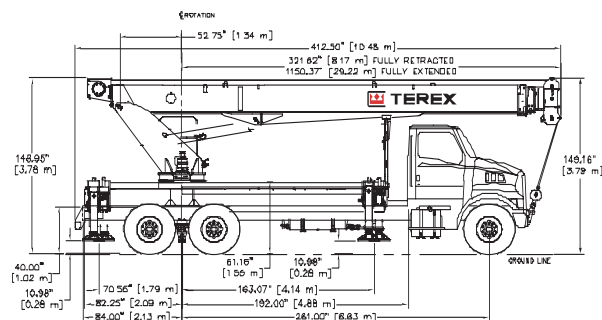
**CAUTION** ⚠️

Overload and anti-two-block systems must be in good operating condition before operating crane. Refer to Owners Manual.

Keep at least 3 wraps of loadline on drum at all times.

Use only 5/8" diameter cable with 45,400 lb. breaking strength on this machine.

## 2 MOUNTING CONFIGURATIONS



| CARRIER PROVIDED BY TEREX                          |                                    |
|--|------------------------------------|
| STINGER RS70100 Riding Seat Mounting Configuration |                                    |
| ▶ Manufacturer                                     | Sterling LT7501 6 x 4 (60 000)     |
| ▶ Standard Engine                                  | Caterpillar C-7 7.2 L I-6          |
| ▶ Standard Horsepower                              | 300 hp @ 2,200 rpm                 |
| ▶ Standard Torque                                  | 860 lb. Ft. @ 1,440 rpm            |
| ▶ Full Tank Capacity                               | 120 gal (454 L)                    |
| ▶ Standard Transmission                            | Eaton Fuller RT-8908LL             |
| ▶ Speed Standard Transmission                      | Manual 10-speed                    |
| ▶ Max Speed Standard Transmission                  | 74 mph (120 km/h)                  |
| ▶ Max Gradeability                                 | 54%                                |
| Standard Transmission                              |                                    |
| ▶ Optional Transmission                            | Allison                            |
| ▶ Speed Optional Transmission                      | Automatic 6-speeds                 |
| ▶ Max Speed Optional Transmission                  | 74 mph (120 km/h)                  |
| ▶ Max Gradeability                                 | 17%                                |
| Optional Transmission                              |                                    |
| ▶ Gross Vehicle Weight Rating                      | 60,000 lb (27 210 kg)              |
| ▶ Front Axle Weight Rating Rating                  | 20,000 lb (9 067 kg)               |
| ▶ Rear Axle Weight Rating Rating                   | 40,000 lb (18 144 kg)              |
| ▶ Front Tires                                      | 425/65R 22.5 Michelin XZY (20 ply) |
| ▶ Rear Tires                                       | 11R 22.5 Michelin XDE M/S (14 ply) |
| ▶ Brakes   | Air, Hydraulic Anti-Lock System    |
| ▶ Exhaust Position                                 | Vertical Right Side                |

| INCLUDED OPTIONS                              |  |
|---|--|
| ▶ Dual Fuel Tanks (120 gal-454 L)             |  |
| ▶ Power steering                              |  |
| ▶ Electric Horn                               |  |
| ▶ Factory A/C                                 |  |
| ▶ Power Port (Cigar lighter)                  |  |
| ▶ AM/FM Radio w/ Clock                        |  |
| ▶ Dual West Coast Stainless Rear View Mirrors |  |
| ▶ Standard Factory Warranty                   |  |

| CHASSIS RECOMMENDATIONS                            |   |
|--|---|
| STINGER RS70100 Riding Seat Mounting Configuration |   |
| ▶ Combined Axle Weight Rating                      | 60,000 lb (27 210 kg)                       |
| ▶ Front Axle Weight Rating                         | 20,000 lb (9 067 kg)                        |
| ▶ Rear Axle Weight Rating                          | 40,000 lb (18 144 kg)                       |
| ▶ Wheel base                                       | 261" (6.62 m)                               |
| ▶ Cab to Axle                                      | 192" (4.87 m)                               |
| ▶ Afterframe                                       | 114" (2.90 m)                               |
| ▶ Frame Section Modulus                            | 30.0 in <sup>3</sup> (491 cm <sup>3</sup> ) |
| ▶ RBM per Frame Rail                               | 3,300,000 in/lb (38 020 kg/m)               |
| ▶ Frame Height (Unloaded)                          | 40" (7.62 m)                                |
| ▶ Exhaust Position                                 | Vertical Right Side                         |

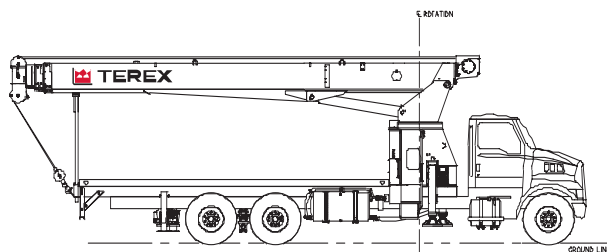




## BOOM TRUCK CRANE STINGER 70100

### BT MODEL

#### SPECIFICATIONS



#### BOOM

- ▶ 30.5-100' (9.30-30.48 m) four-section full power fully synchronized boom. Patented keel boom design utilizes a keel shaped base plate combined with a deep, four plate boom section to optimize strength / rigidity-to-height ratio. Exclusive, patented color-coded boom and load charts allow the operator to easily determine boom extension, boom angle and load capacity. Maximum tip height with four-section 30.5-100' (9.30-30.48 m) boom is 110' (33.53 m). Maximum tip height with optional two-stage 30.5-55' (9.30-16.76 m) jib is 163' (49.68 m).

#### WINCH

- ▶ Hydraulic winch with gear motor and planetary reduction gearing provides 2-speed operation. First layer rope pull is 15,000 lb (6 804 kg). Wire rope size is 5/8" (16 mm) with 45,400 lb (20 593 kg) breaking strength.

#### OPERATING SPEEDS

- ▶ Mainframe / turret assembly planetary gear rotation provides 180° rotation (370° with optional front bumper outrigger). Swing rotation is 75 seconds. Boom up/down is 60/41 seconds and boom extend/retract is 108/50 seconds.

#### HYDRAULICS

- ▶ Three-section pump allows the operator to perform simultaneous crane operations (winch, boom and swing). Capacities are 32, 17 and 8 gpm (122, 64 and 30 L/m). Hydraulic tank capacity is 90 gal (342 L).

#### CONTROLS

- ▶ Fully proportional, excellent metering characteristics for precise boom movements. Independent outrigger controls allow the crane to be stable and level in rigorous working conditions. Load Moment Indication System has audio alarm and functional shut down when operator encounters an overload situation.

#### OUTRIGGERS

- ▶ Front outriggers are Out & Down. The maximum width over main outrigger pads is 25' 6" (7.78 m).
- ▶ Rear outriggers are Out & Down. The maximum width over auxiliary outrigger pads is 17' 6" (5.33 m).

#### SUBFRAME

- ▶ Single fabricated, closed-box style subframe yields greater strength and rigidity. Wheelbase for standard truck crane mounting configuration is 261" (6.62 m).

#### OPTIONS AND ACCESSORIES

- ▶ Single and two-stage jibs
- ▶ Multi-part load blocks
- ▶ Main winch with 2 speed motor
- ▶ Auxiliary winch
- ▶ Rotation-resistant load line
- ▶ Heavy duty wood flatbeds
- ▶ Extra heavy duty wood flatbeds
- ▶ Extra heavy duty steel flatbeds
- ▶ Radio remote controls
- ▶ One-man or two-man baskets
- ▶ Self-leveling work platform
- ▶ Winch drum tensioner
- ▶ Continuous rotation
- ▶ Oil cooler
- ▶ Single front bumper outrigger (required for 370° or continuous rotation)
- ▶ Hydraulic hose reel
- ▶ Hydraulic auxiliary tool circuit
- ▶ Tool box



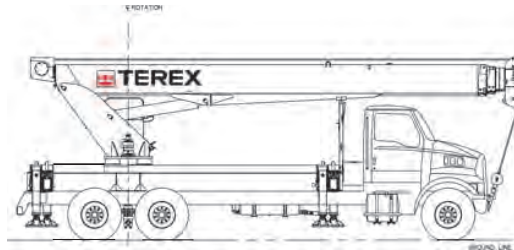


# TEREX

## BOOM TRUCK CRANE STINGER 70100

### RS MODEL

#### SPECIFICATIONS



#### BOOM

- ▶ 30.5-100' (9.30-30.48 m) four-section full power fully synchronized boom. Patented keel boom design utilizes a keel shaped base plate combined with a deep, four plate boom section to optimize strength / rigidity-to-height ratio. Exclusive, patented color-coded boom and load charts allow the operator to easily determine boom extension, boom angle and load capacity. Maximum tip height with four-section 30.5-100' (9.30-30.48 m) boom is 110' (33.53 m). Maximum tip height with optional two-stage 30.5-55' (9.30-16.76 m) jib is 163' (49.68 m).

#### WINCH

- ▶ Hydraulic winch with 2-speed gear motor and planetary reduction gearing provides 2-speed operation. First layer rope pull is 15,000 lb (6 804 kg). Wire rope size is 5/8" (16 mm) with 45,400 lb (20 593 kg) breaking strength.

#### OPERATING SPEEDS

- ▶ Mainframe / turret assembly planetary gear rotation provides 180° rotation (370° with optional front bumper outrigger). Swing rotation is 75 seconds. Boom up/down is 60/41 seconds and boom extend/retract is 108/50 seconds.

#### HYDRAULICS

- ▶ Three-section pump allows the operator to perform simultaneous crane operations (winch, boom and swing). Capacities are 32, 17 and 8 gpm (122, 64 and 30 L/m). Hydraulic tank capacity is 90 gal (342 L). Hydraulic oil cooler is standard.

#### CONTROLS

- ▶ Fully proportional, excellent metering characteristics for precise boom movements. Independent outrigger controls allow the crane to be stable and level in rigorous working conditions. Load Moment Indication System has audio alarm and functional shut down when operator encounters an overload situation.

#### OUTRIGGERS

- ▶ Front and Rear outriggers are Out & Down type. The maximum width over outrigger (Front and Rear) pads is 22' 4" (6.81 m).
- ▶ Front bumper outrigger is standard

#### SUBFRAME

- ▶ Single fabricated, closed-box style subframe yields greater strength and rigidity. Wheelbase for standard truck crane mounting configuration is 261" (6.62 m).

#### OPTIONS AND ACCESSORIES

- ▶ Single and two-stage jibs
- ▶ Multi-part load blocks
- ▶ Radio Remote Controls
- ▶ Enclosed Operators Cab
- ▶ Cab Heater
- ▶ Auxiliary winch
- ▶ Rotation-resistant load line
- ▶ One-man or two-man baskets
- ▶ Self-leveling work platform
- ▶ Winch drum tensioner
- ▶ Continuous rotation
- ▶ Hydraulic hose reel
- ▶ Hydraulic auxiliary tool circuit
- ▶ Tool box



**TEREX****STINGER 70100 | Contacts****SALES****Tom Limbach**

Sales Director, Terex Cranes  
 Office: (319) 352-9357  
 Mobile: (815) 703-3905  
 Office Fax: (319) 352-9395  
 Email: tom.limbach@terexwaverly.com

**Diane Sheedy**

Director of International Sales  
 Office: (319) 352-9326  
 Office Fax: (319) 352-9395  
 Email: diane.sheedy@terexwaverly.com

**Bruce Kramer**

Sales Manager, Terex Cranes  
 Office: (319) 352-9347  
 Mobile: (815) 703-3896  
 Office Fax: (319) 352-9395  
 Email: bruce.kramer@terexwaverly.com

**Chad Brandenburg**

Sales Coordinator, Terex Cranes  
 Office: (319) 352-9356  
 Mobile: (910) 367-3152  
 Office Fax: (319) 352-9395  
 Email: chad.brandenburg@terexwaverly.com

**Angie Scribner**

Sales Assistant, Terex Cranes  
 Office: (319) 352-9309  
 Office Fax: (319) 352-9395  
 Email: angie.scribner@terexwaverly.com

**SERVICE – PARTS****Roger Jones**

Service Manager – Product Support  
 Office: (910) 395-8504  
 Mobile: (910) 367-6260  
 Office Fax: (910) 395-8538  
 Email: rjones@american-crane.com

**Dino Nelson**

Service Training Specialist  
 Office: (319) 352-9338  
 Mobile: (815) 703-1800  
 Office Fax: (319) 352-9378  
 Email: dino.nelson@terexwaverly.com

**Jim Chivers (Boom Trucks)**

Service Manager – Product Support  
 Office: (319) 352-9352  
 Mobile: (815) 703-3901  
 Office Fax: (319) 352-9378  
 Email: jim.chivers@terexwaverly.com

**Fred Backer (Boom Trucks)**

Service Technician  
 Office: (319) 352-9388  
 Mobile: (815) 703-6514  
 Office Fax: (319) 352-9378  
 Email: fred.backer@terexwaverly.com

**Dan Kalkbrenner (RT & T Cranes)**

Service Manager - Product Support  
 Office: (319) 352-9368  
 Mobile: (815) 703-3900  
 Office Fax: (319) 352-9378  
 Email: dan.kalkbrenner@terexwaverly.com

**Jim Dawson (RT & T Cranes)**

Service Manager - Product Support  
 Office: (319) 352-9366  
 Mobile: (815) 703-3899  
 Office Fax: (319) 352-9378  
 Email: jim.dawson@terexwaverly.com

**PARTS****Peggy Pellican**

Director of Aftermarket Sales  
 Office: (336) 644-0536  
 Mobile: (336) 442-8348  
 Office Fax: (336) 644-0495  
 Fax: (801) 991-8193  
 Email: ppellican@terexparts.com

**QUALITY ASSURANCE****Lee Linderkamp**

Quality Assurance Manager  
 Office: (319) 352-9364  
 Mobile: (815) 703-3898  
 Office Fax: (319) 352-9378  
 Email: lee.linderkamp@terexwaverly.com

**Clint Schrage**

Warranty Manager  
 Office: (319) 352-9305  
 Office Fax: (319) 352-9378  
 Email: clint.schrage@terexwaverly.com

**ENGINEERING****George Green**

Director of Engineering  
 Office: (319) 352-9315  
 Office Fax: (319) 352-9378  
 Email: george.green@terexwaverly.com

**Dave Schoonover (Boom Trucks)**

Project Engineer  
 Office: (319) 352-9372  
 Office Fax: (319) 352-9378  
 Email: dave.schoonover@terexwaverly.com

**Brian Thomas (RT Cranes)**

Project Engineer  
 Office: (319) 352-9386  
 Office Fax: (319) 352-9378  
 Email: brian.thomas@terexwaverly.com

**Dave Frerking (T Cranes)**

Project Engineer  
 Office: (319) 352-9321  
 Office Fax: (319) 352-9378  
 Email: dave.frerking@terexwaverly.com

**MANAGEMENT****Dan Mischeau**

Operations Manager, Terex Cranes  
 Office: (319) 352-9314  
 Mobile: (815) 703-3903  
 Office Fax: (319) 352-5727  
 Email: dan.mischeau@terexwaverly.com

**TEREX Cranes**  
 106-12th Street S.E.  
 Waverly, IA 50677-9466 USA

TEL (319) 352-3920  
 FAX (319) 352-5727  
 EMAIL inquire@terexwaverly.com  
 WEB terex.com

For more information, product demonstration, or detail on purchase, lease and rental plans, please contact your local Terex Crane dealer. We reserve the right to amend these specifications at anytime without notice. The only warranty applicable is our standard written warranty applicable to the particular product an sale. We make no other warranty, expressed or implied.

February 28, 2005

